

Induction Hob

S4000

Induction Hob 110 cm - Four zones - BEVELLED Edge - for flush-mount (FT) or over-mount (FTS) installation

Code: 7334 240

Product Details

Materials/finishes	Black tempered glass
Edge/installation type	BEVELLED Edge - for flush-mount (FT) or over-mount (FTS) installation
Cooking elements	Four zones
Command type	Touch Control
Power settings	9 power setting per zone plus double Powerboost function
Dimension	1100x350 mm
Cut out	Vedi scheda tecnica
Total power	7.400 W
Left	Ø 210 mm-2.050 (2.500)* (3.700)** W
Centre-left	Ø 210 mm-2.050 (2.500)* (3.700)** W
Centre-right	Ø 180 mm-1.850 (2.300)* (3.000)** W
Right	Ø 180 mm-1.850 (2.300)* (3.000)** W

Features



Pot detector



End-of-cooking programming



Double powerboost



Timer

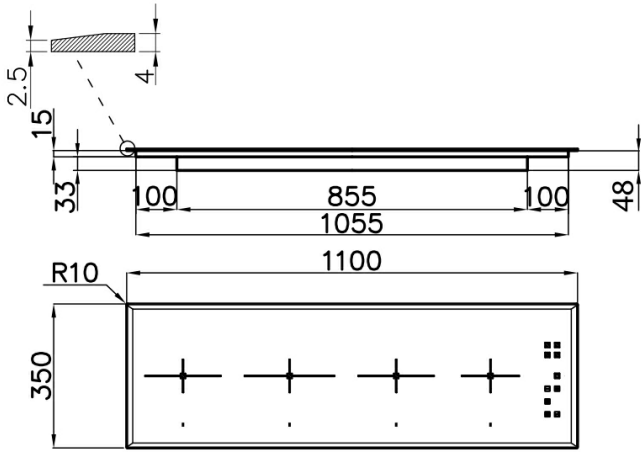


Smart fan system

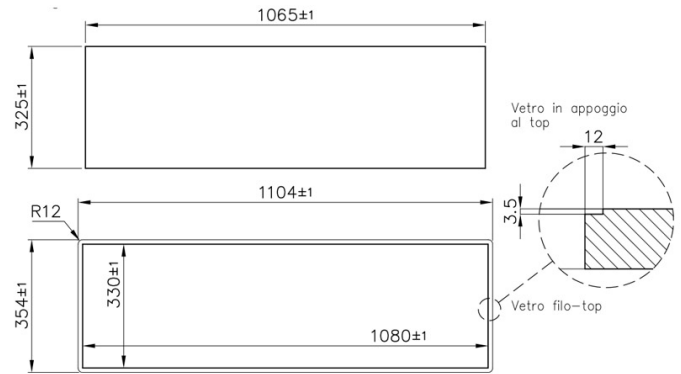


Safety

Dimensions



Cut out drawing



12-03-2019
09:33:18